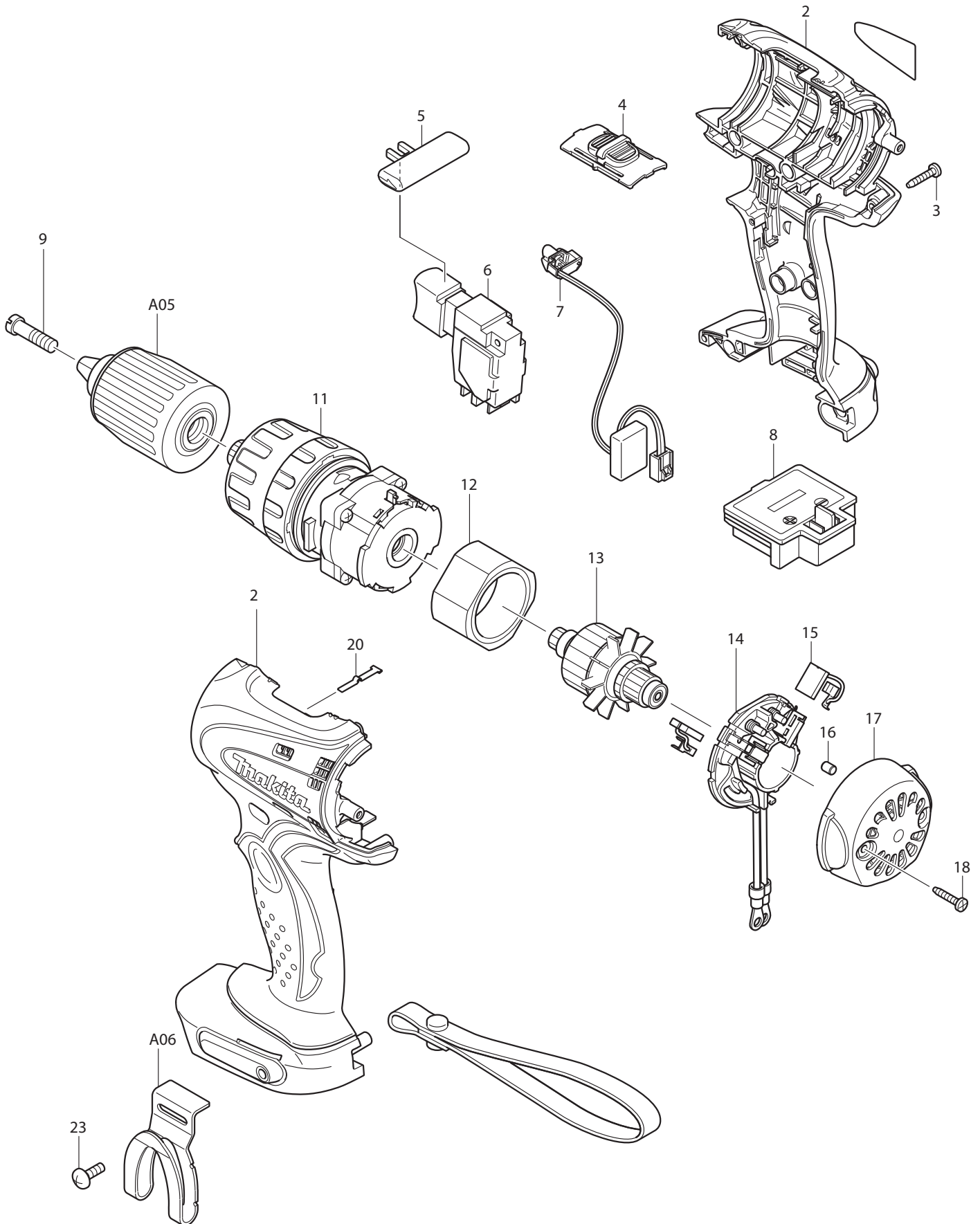




01 - 2010

BHP440

# 14.4V PERCUSSION DRIVER DRILL



Item No	Type	Ref	Ref   Part No	Description	Qty	Unit
2	1		188000-1	HOUSING SET - N/L/A	1	SET
	2		188266-3	HOUSING SET	1	SET
3			266130-9	TAPPING SCREW BIND PT 3X16	9	PC.
4			125310-5	SPEED CHANGE LEVER ASS'Y	1	PC.
		INC.	231433-0	COMPRESSION SPRING 4	2	PC.
5			419041-9	F/R CHANGE LEVER	1	PC.
6			650569-0	SWITCH TG553FSB-3	1	PC.
7			631631-0	LIGHT CIRCUIT	1	PC.
8			643811-6	TERMINAL	1	PC.
9	1		251464-3	* - FLAT HEAD SCREW M6X22	1	PC.
	2		251472-4	* - FLAT HEAD SCREW M6X26	1	PC.
11			125311-3	GEAR ASS'Y	1	PC.
12			638423-8	YOKE UNIT	1	PC.
13			619161-1	ARMATURE	1	PC.
14			638424-6	BRUSH HOLDER COMPLETE	1	PC.
		INC.	231696-8	TORSION SPRING R	1	PC.
		INC.	231697-6	TORSION SPRING L	1	PC.
15	1		194159-4	CARBON BRUSH CB-436 2PC/SET, W/O ORIGIN - N/L/A	1	SET
	2		194427-5	CARBON BRUSH CB-440 2PC/SET, W/O ORIGIN	1	SET
	3		195021-6	CARBON BRUSH CB-440 2PC/SET, W/ ORIGIN	1	SET
	4		195021-6	CARBON BRUSH CB-440 2PC/SET, W/ ORIGIN	1	SET
16			263032-0	RUBBER PIN 4	2	PC.
17			418981-8	REAR COVER	1	PC.
18			266130-9	TAPPING SCREW BIND PT 3X16	2	PC.
20			232182-2	LEAF SPRING	1	PC.
23			251314-2	+ SCREW M4X12 (FOR HOOK)	1	PC.

#### **ACCESSORIES**

- See catalogue or visit [www.makita.ca](http://www.makita.ca) for optional accessory -

A01	1		DC18SC	DC18SC CHARGER	1	PC.
	2		DC18RA	CHARGER DC18RA	1	PC.
	3		DC18RC	CHARGER DC18RC	1	PC.
A02	1		194066-1	14.4V LI-ION BATTERY BL1430	1	PC.
A03			784203-1	PHILLIPS BIT 2-65	1	PC.
A04			824753-5	PLASTIC CARRYING CASE	1	PC.
		INC.	324207-7	SHAFT	1	PC.
		INC.	413098-2	PLATE	4	PC.
		INC.	417724-5	LATCH	2	PC.
		INC.	419215-2A	PLASTIC CASE LID, TAB TYPE	1	PC.
		INC.	419216-0	HANDLE	1	PC.
A04	2		141205-4	PLASTIC CARRYING COMPLETE	1	PC.
		INC.	324207-7	SHAFT	1	PC.
		INC.	413098-2	PLATE	4	PC.
		INC.	417724-5	LATCH	2	PC.
		INC.	419215-2A	PLASTIC CASE LID, TAB TYPE	1	PC.
		INC.	419216-0	HANDLE	1	PC.
A05	1		763188-4	* KEYLESS DRILL CHUCK 13 - N/L/A	1	PC.
	2		763193-1	* 1/2" KEYLESS DRILL CHUCK	1	PC.
	3		766027-7	* 1/2" KEYLESS DRILL CHUCK	1	PC.
A06	1		324553-8	HOOK - N/L/A	1	PC.
	2		324705-1	HOOK F/ BL1430, BL1830	1	PC.
	3		346449-3	HOOK F/ BL1430, BL1830	1	PC.
A07			450128-8	BATTERY COVER	1	PC.

## **SERVICE CHANGES**

### **1. Changes on Keyless drill chuck**

<b>Item No.</b>	<b>Description</b>	<b>Type 1</b>	<b>Type 2</b>	<b>Type 3</b>
9	- FLAT HEAD SCREW	251464-3	251472-4	
A05	KEYLESS DRILL CHUCK 13	763188-4 (or 763199-9 - N/A)	763193-1	766027-7

Above parts are completely interchangeable as a set.

### **2. Changes on Hook**

<b>Item No.</b>	<b>Description</b>	<b>Type 2</b>	<b>Type 3</b>
A06	HOOK	324705-1	346449-3

Width has been changed wide size to narrow size

